

Plant room thermostat RTKSA

Capillary system – external sensors



Technical data	Application
----------------	-------------

Colour: Anthracite grey (similar to RAL7016), front side transparent

Sensor material: V4A

Max. sensor temperature: Top scale value +15%

Max. head temperature: 50 °C

Permissible atmospheric humidity: Max. 95% rel. humidity, non-condensing

Operating voltage: none

Max. switching current: **NC contact:** 16 (2.5) A at 230 VAC +10%
0.25 A at 230 VDC +10%
NO contact: 6.3 (2.5) A at 230 VAC +10%
0.25 A at 230 VDC +10%

Min. switching current: Min. 100 mA at 24 V (AC/DC)

Max. switching voltage: 230 VAC 50/60 Hz, 230 VDC

Min. switching voltage: 24 VAC/50 Hz, 24 VDC

Switching element: microswitch

Switching contact: toggler, potential-free

Control function: heating or cooling

Hysteresis: 1.3 K

Electrical connection: Push-in terminals

Mounting/attachment: wall mounting

Protection class: I

Protection rating: IP 54 (optionally IP 65)

Safety and EMC: In accordance with DIN EN 60730 (VDE 0631)

Sensor: liquid-filled capillary

General features: Scale: degrees Celsius

RTKSA plant room thermostats were specially developed for use in industrial halls, exhibition halls, air halls and greenhouses. When used as a frost protection controller, the higher tolerances at the end of the scale must be observed.

Type testing by TÜV in accordance with DIN EN 14597



Type	Item no.	Control range	Hysteresis	Features	PG
RTKSA-100.010	KA010000	-10 ... +40 °C	1.3 K	TR, external setting	II
RTKSA-101.010	KA010100	-10 ... +40 °C	1.3 K	TW, internal setting	II
RTKSA-100.110	KA010001	0 ... +50 °C	1.3 K	TR, external setting	II
RTKSA-101.110	KA010101	0 ... +50 °C	1.3 K	TW, internal setting	II

TR = temperature controller, TW = temperature monitor

Type comparison (old/new type)

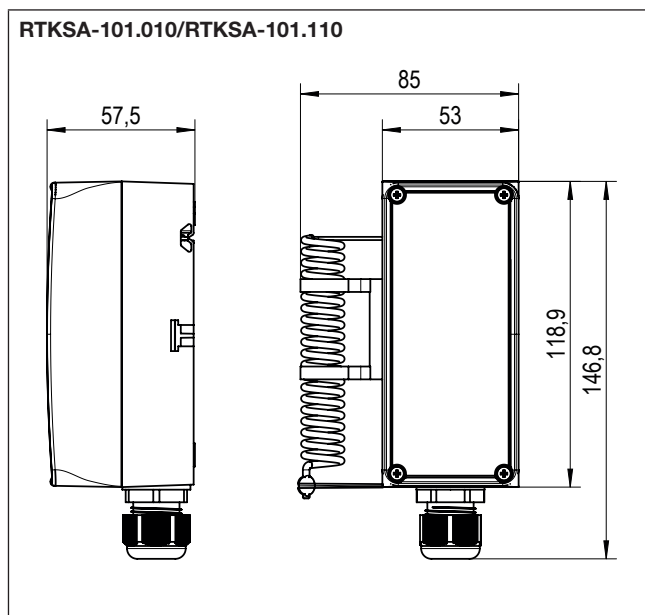
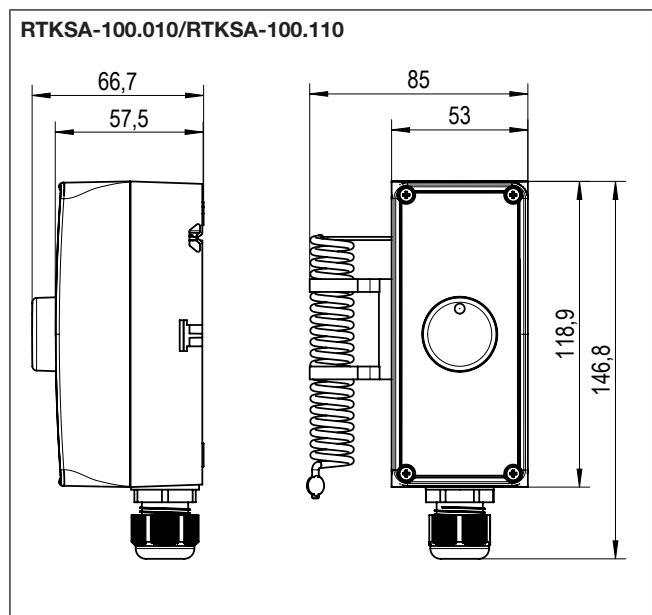
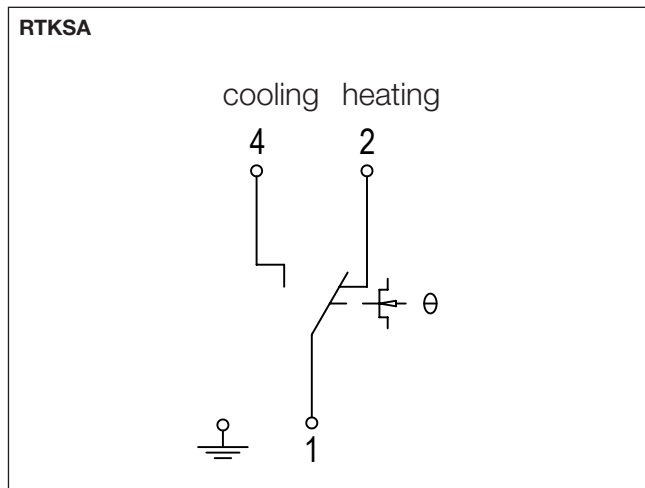
Old alre types	Control range	Hysteresis	New alre types	Control range	Hysteresis
JET-40	0 ... +35 °C	1 K	RTKSA-100.010	-10 ... +40 °C	1.3 K
JET-40F	0 ... +35 °C	1 K	RTKSA-101.010	-10 ... +40 °C	1.3 K
JET-41	0 ... +70 °C	2 K	RTKSA-100.110	0 ... +50 °C	1.3 K
JET-41F	0 ... +70 °C	2 K	RTKSA-101.110	0 ... +50 °C	1.3 K

TR = temperature controller, TW = temperature monitor

NEW

Plant room thermostat RTKSA

Capillary system – external sensors



NEW Scan the QR code now and watch the "New thermostats in plant engineering" product film. More information at a glance.

